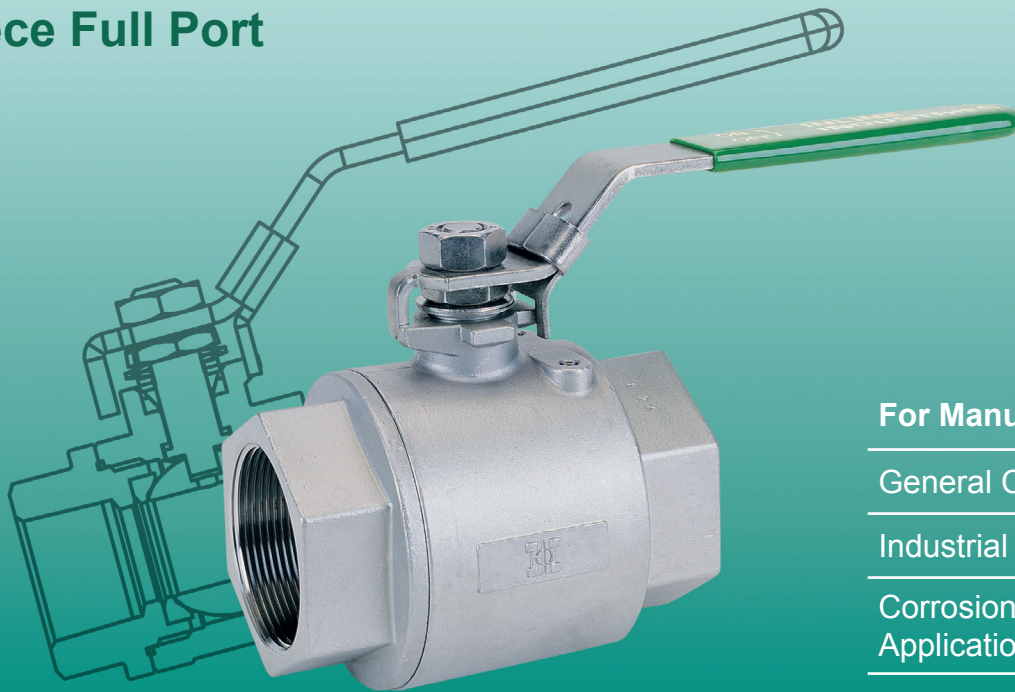


202F Ball Valve

2-Piece Full Port



For Manual Service

General Chemical

Industrial

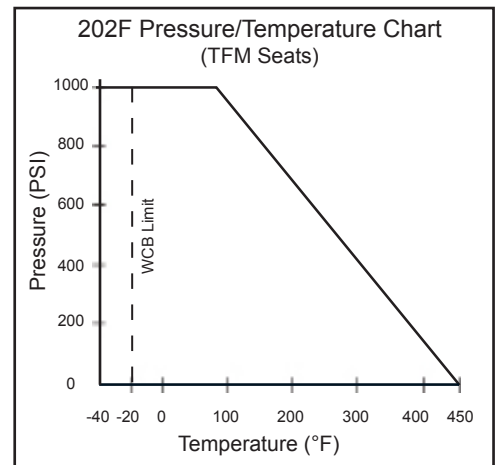
Corrosion Resistant Applications

Standard Features and Benefits

- **Economical 2-Piece Full Port Design**
Improves flow characteristics for greater process efficiencies
- **Blow-Out-Proof Stem**
Bottom loaded to prevent removal during operation
- **High-Cycle, Live-Loaded Stem Packing**
Provides constant load on stem seal and extends service life
- **Pressure Balancing Ball**
- **Locking Device**
Enables plant personnel to secure valve in open or closed position when manually operated
- **Corrosion Resistant Trim**
316 stainless steel ball and stem for superior chemical resistance and longer service life
- **Investment Cast**
Improves dimensional control and reduces porosity
- **Standard Valve Suitable for 150 psi Saturated Steam**
- **Castings to NACE MR0175/ISO 15156**

Options

- **Oval Handle or Reverse Handle**
- **Air Safety Exhaust Valve (ASEV)**
- **Material Test Reports Available Upon Request**

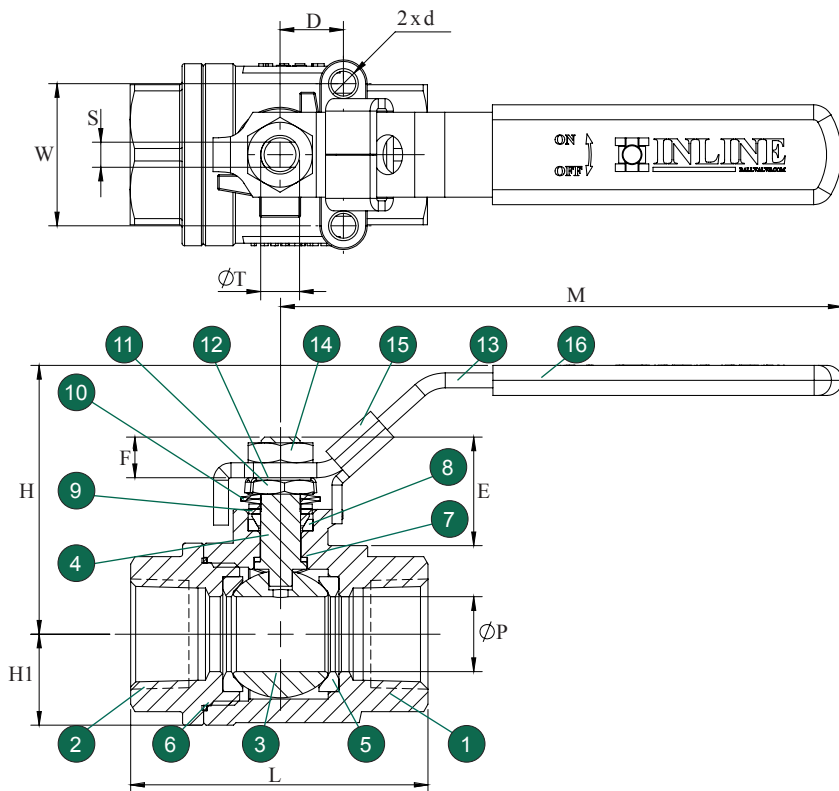


Operating Conditions

- Temperature Range (TFM):
-40°F ~ 450°F
- Maximum Pressure (TFM):
1000 PSI CWP

Specifications

- Designed and pressure tested in accordance with ASME B16.34, API 598 and MSS-SP-110
- NSF/ANSI/CAN 61 & 372 Certified
- NPT to ASME B1.20.1



Valve Components			
No.	Part Name	Material	Qty
1	Body	A351 CF8M	1
2	End Cap	A351 CF8M	1
3	Ball	316 SS	1
4	Stem	316 SS	1
5	Seat	TFM	2
6	Body Seal	TFM	1
7	Thrust Washer	TFM	1
8	Stem Packing Set	TFM	1
9	Packing Gland	304 SS	2
10	Belleville Washer	301 SS	2
11	Gland Nut	304 SS	1
12	Gland Nut Lock Washer	304 SS	1
13	Handle	304 SS	1
14	Handle Nut	304 SS	1
15	Handle Lock	304 SS	1
16	Handle Cover	Vinyl	1

Dimensions (Inches)													Cv	Weight (lbs)
Size	L	P	M	H	H1	E	F	S	T	W	D	d		
1/4"	2.10	0.50	4.4	2.1	0.6	0.85	0.31	0.20	0.31	1.12	0.50	M5	5.4	0.7
3/8"	2.10	0.50	4.4	2.1	0.6	0.85	0.31	0.20	0.31	1.12	0.50	M5	11.6	0.7
1/2"	2.35	0.59	4.4	2.1	0.7	0.86	0.32	0.20	0.31	1.12	0.50	M5	16.7	0.9
3/4"	2.92	0.79	5.2	2.5	0.9	0.94	0.31	0.26	0.38	1.38	0.87	M5	29.7	1.7
1"	3.27	0.98	5.7	2.8	1.1	1.17	0.38	0.31	0.46	1.38	0.87	M5	47.8	2.6
1 1/4"	3.82	1.25	5.7	3.1	1.3	1.14	0.32	0.31	0.46	1.50	0.94	M5	73.2	3.5
1 1/2"	4.29	1.50	7.5	3.9	1.6	1.42	0.41	0.38	0.54	1.50	0.94	M6	109	5.5
2"	5.07	2.00	7.5	4.2	1.9	1.45	0.46	0.38	0.54	1.50	0.94	M6	200	8.8

Cv value represents flow data to ISA 75.01.01 - 2007

202F Ordering Information

Example: 2" Full Port Ball Valve with Lever Handle and Locking Device, 316 SS Body and Trim, TFM Seats and Seals, NPT Ends

Valve Series	Valve Size	Body Material	End Material*	Ball Material	Stem Material	Seat	Seal	End Connection	Port	Ball Configuration	
202F - Full Port	2 3 5 7 A B C D	1/4" 3/8" 1/2" 3/4" 1" 1 1/4" 1 1/2" 2"	6 - A351 Gr. CF8M (316) 2 - A216 Gr. WCB (CS)	6 - A351 Gr. CF8M (316) 2 - A216 Gr. WCB (CS)	6 - 316 SS	6 - 316 SS	M - TFM R - RTFE (15% G.F.) T - PTFE	M - TFM T - PTFE F - 50% 316 SS Filled PTFE	T - NPT	2 - 2 Way	S - Straight Port 7 - ASEV Ball**

*End material and body material must be the same.

** Air Safety Exhaust Valve

Due to continuous product development, information may change without notice.



INLINE INDUSTRIES, INC.

9056 Garvey Avenue
Rosemead, CA 91770

Tel: (800) 568-8998
(626) 813-6188

Fax: (626) 813-6186

www.ballvalve.com
info@ballvalve.com

Distributed by: