

367F Sanitary Diverter Valve

3-Piece Tube Full Port
ISO 5211 Direct Mount Pad



For High Purity
Applications

Pharmaceutical

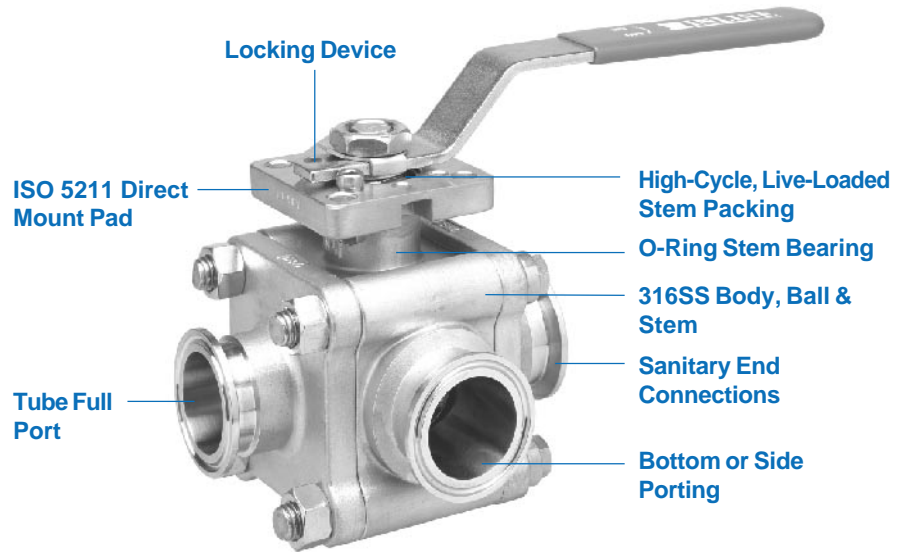
Bio-Technology

Fine Chemical

Food & Beverage

The 367F Series Sanitary Diverter Valve

The 367F series diverter valve incorporates several innovative design features for improved process performance. This tube full-port valve is available in side or bottom porting and several flow configurations. The 3-piece design yields enhanced performance at a cost saving. The ISO 5211 mounting pad allows for direct mounting of most actuators.



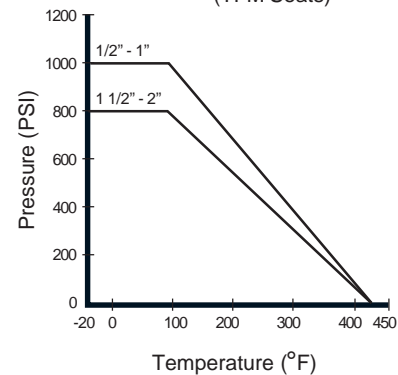
Standard Features and Benefits

- 1 **Tube Full Port Design**
True tube full port construction eliminates pooling of process media and improves flow characteristics for greater efficiency
- 1 **Made of Corrosion-Resistant 316SS (A351 Gr. CF8M)**
One valve can be used for many service conditions
- 1 **ISO 5211 Direct Mount Pad**
No bracket or drive coupling needed for automation
Improves actuator positioning and prevents side loading
Eliminates exposed moving parts for safer work environment
- 1 **High-Cycle, Live-Loaded Stem Packing**
Ensures tight seal
Extends service life
- 1 **O-Ring Stem Bearing**
Maintains stem alignment
Reduces packing side loading and wear
Enhances stem seal performance
- 1 **Blow-Out-Proof Stem**
Stem is bottom loaded to prevent removal when valve is in service
- 1 **Lockout Capability**
Enables plant personnel to secure valve in open or closed position when manually operated
- 1 **Investment Cast**
Improves dimensional control and reduces porosity
- 1 **Internal Surfaces Roll Burnished Prior To Final Polish**
Reduces surface porosity
Improves surface finish
- 1 **25 Ra Internal Surface Finish**

Options

- 1 Polish and Electro-polish to customer's specification
- 1 Cavity Filled
- 1 Jacketed
- 1 Bottom Porting
- 1 L- or T-port Ball

367F Pressure / Temperature Chart
(TFM Seats)

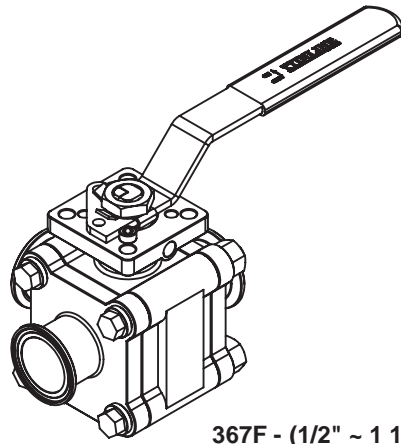


Operating Conditions

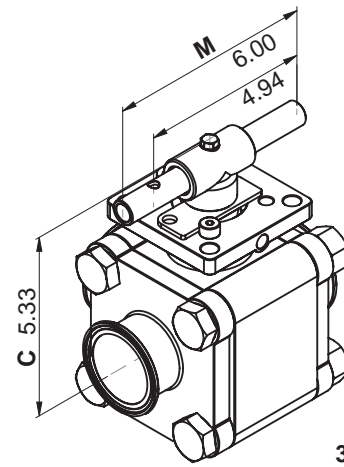
- 1 Temperature Range (TFM Seats):
-20°F - 420°F
- 1 Maximum Pressure (TFM Seats):
1000 PSI (1/2" - 1"), 800 PSI
(1 1/2" - 2")

Specifications

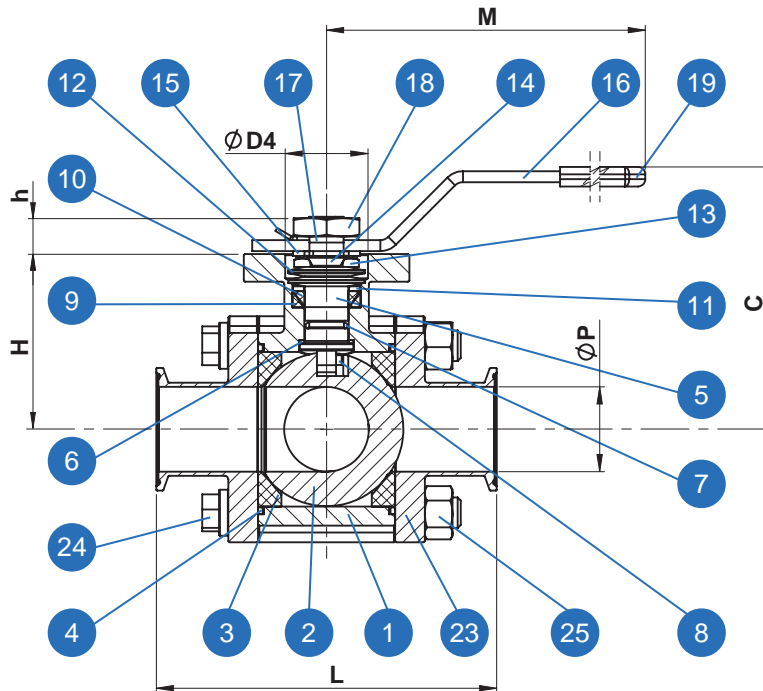
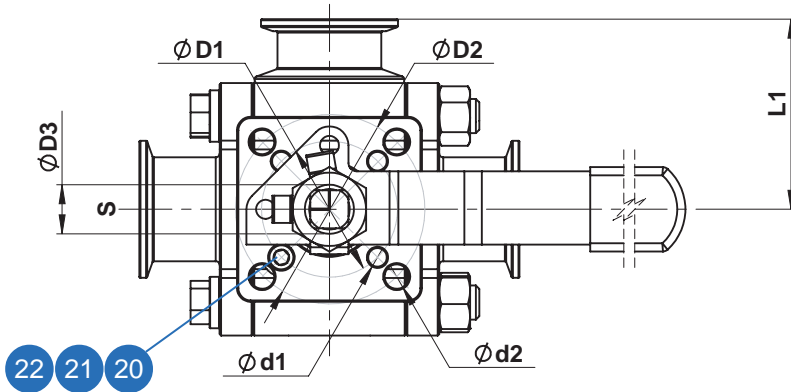
- 1 Valves inspected and tested to API 598 and meet ANSI/FCI70-2 Class VI and MSS SP-61 seat leakage requirements
- 1 All materials comply with applicable ASTM material specifications, and FDA, USDA and ASME BPE material requirements
- 1 All soft wetted parts comply with FDA CFR Title 21 Part 177
- 1 Material test reports available upon request



367F - (1/2" ~ 1 1/2")



367F - (2")




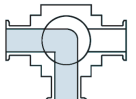
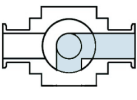
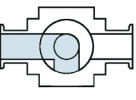
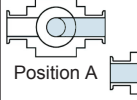
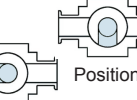
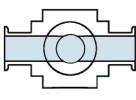
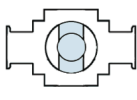
Valve Components			
#	Part Name	Material	Qty.
1	Body	A351 Gr. CF8M	1
2	Ball	316SS	1
3	Seat	TFM	2
4	Body Seal	TFM	2
5	Stem	316SS	1
6	Thrust Washer	PEEK	1
7	Stem O-Ring	Viton 90	1
8	Pin	316SS	1
9	Stem Packing - B	TFM	1
10	Stem Packing - A	TFM	1
11	Packing Gland	304SS	1
12	Belleville Washer	301SS	4
13	Gland Nut	304SS	1
14	Gland Nut Lock Washer	304SS	1
15	Stem Spacer	304SS	1
16	Handle	304SS	1
17	Handle Nut Lock Washer	304SS	1
18	Handle Nut	304SS	1
19	Handle Cover	Vinyl	1
20	Positioning Pin	304SS	1
21	Split Lock Washer	304SS	1
22	Positioning Pin Nut	304SS	1
23	End Cap	A351 Gr. CF8M	2
24	Body Bolt	304SS	4
25	Body Nut	304SS	4

Dimensions (Inches)																	
Size	L	L ₁	C	P	M	H	h	D ₁	d ₁	D ₂	d ₂	D ₃	D ₄	S	ISO 5211 Pattern	Wt. (lbs)	
1/2	3.50	1.75	3.14	0.37	5.39	1.89	0.38	1.42	0.22	1.97	0.28	0.47	0.99	0.35	F03 / F05*	2.10	
3/4	4.00	2.00	3.26	0.62	6.69	1.98	0.44	1.65	0.22	1.97	0.28	0.55	1.18	0.43	F04 / F05*	3.50	
1	4.50	2.25	3.47	0.87	6.69	2.18	0.42	1.65	0.22	1.97	0.28	0.47	1.18	0.43	F04 / F05*	5.20	
1 1/2	5.50	2.75	4.36	1.37	8.46	2.83	0.60	1.97	0.28	2.76	0.35	0.71	1.38	0.55	F05 / F07*	10.90	
2	6.25	3.13	5.33	1.87	6.00	3.48	0.79	2.76	0.35	4.02	0.44	0.87	2.17	0.67	F07 / F10*	21.90	

Bottom entry drawing available upon request

* Direct mount with stem adapter bushing

Flow Pattern Options

3 Way - Side Entry, L-Port (5L)											
Turn	Positions										
90°	A & B	Position A	Position B								
3 Way - 180° Bottom Entry Double L-Port (3Y)			3 Way - 180° Bottom Entry L-Port (3A)*			3 Way - Bottom Entry, T-Port (3B)*					
Turn	Positions			Turn	Positions			Turn	Positions		
90°	A & B	Position A	Position B	90°	A & B	Position A	Position B	90°	A & B	Position A	Position B
				90°	B & C						
				180°	A & C						

* Position B, shut-off position is rated at 150 psig maximum differential pressure between bottom inlet and side outlets.

367F Ordering Information

Example: 2" 3-Piece Diverter Full Port Direct Mount Sanitary Ball Valve, ISO 5211 Direct Mount Pad with Lever Handle and Locking Device, 316SS Body and Trim, TFM Seats and Seals, Clamp Ends, 3-Way Side Entry, L-Port, 25 Ra Max Mechanical Polish (ID)

367F	D	6	6	6	6	M	M	CC	5	L	
Valve Series	Valve Size	Body Material	End Material	Ball Material	Stem Material	Seat	Seal	End Connections	Port Config.	Ball Config.	Surface Finish
367F - Full Port	5 1/2" 7 3/4" A 1" C 1 1/2" D 2"	6 - A351 Gr. CF8M (316)	6 - A351 Gr. CF8M (316)	6 - A351 Gr. CF8M (316)	6 - A351 Gr. CF8M (316)	M - TFM J - TFM Cavity Filled	M - TFM	C - Clamp	5 - 3 Way Side Entry 3 - 3 Way 180° Bottom Entry	L - Side Entry L - Port Y - Bottom Entry Dble L - Port A - Bottom Entry L - Port T - Side Entry T - Port B - Bottom Entry T - Port	None - 25 Ra Max, Mech. Polish SFV1 - 20 Ra Max, Mech. Polish SFV3 - 30 Ra Max, Mech. Polish SFV4 - 15 Ra Max, Electropolish SFV5 - 20 Ra Max, Electropolish SFV6 - 25 Ra Max, Electropolish

Due to continuous product development, information may change without notice.



INLINE INDUSTRIES, INC.

9056 Garvey Avenue
Rosemead, CA 91770
Tel: (626) 813-6188
Fax: (626) 813-6186
www.ballvalve.com
info@ballvalve.com

Distributed by: